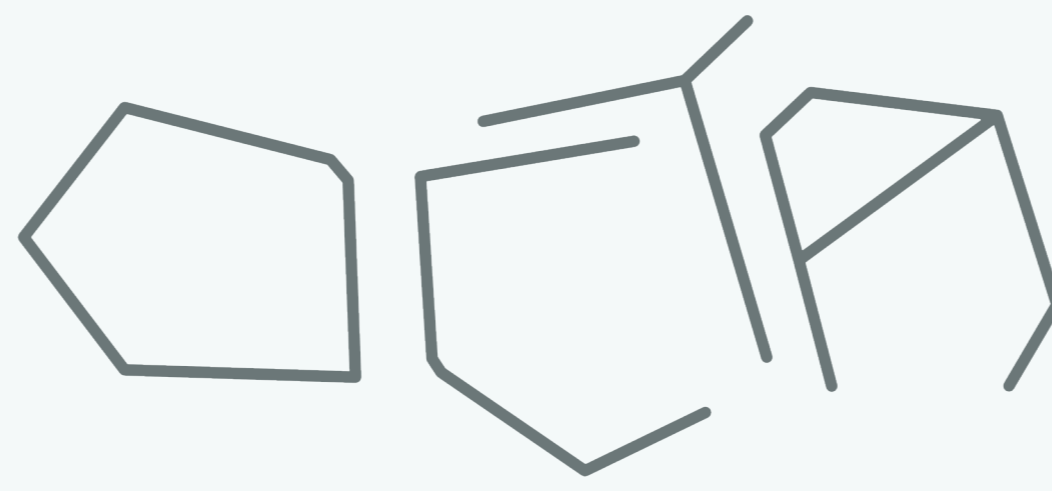


# Parametric Design of Transformable Structure

Professor : Prof. dr. ir. arch. Niels De Temmerman  
 Assistants : ir. arch. Ahmed Soliman and ir. arch. Ellen Leemans



**Herrmann** Lucie  
**Joncour** Vincent  
**Pisaneschi** Florent  
**Schaffers** Marie

## Concept for a mobile and deployable podium for free speech

VIEW A



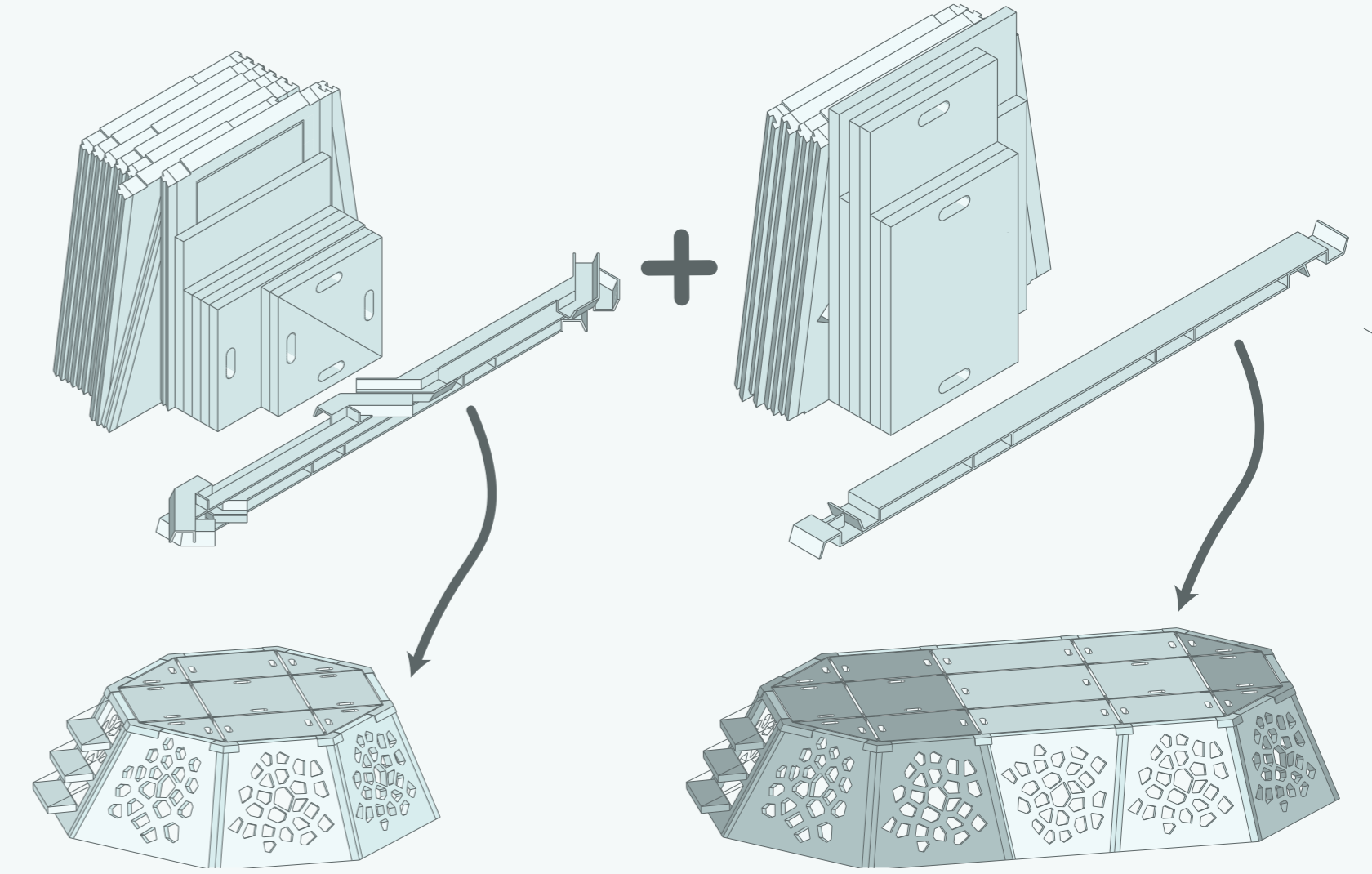
VIEW B



### STORED PODIUM

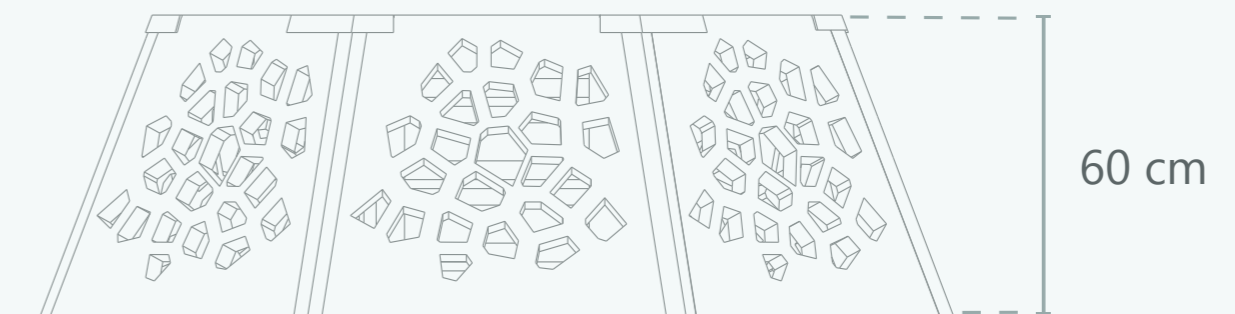
SIMPLE FORM

EXTENSION

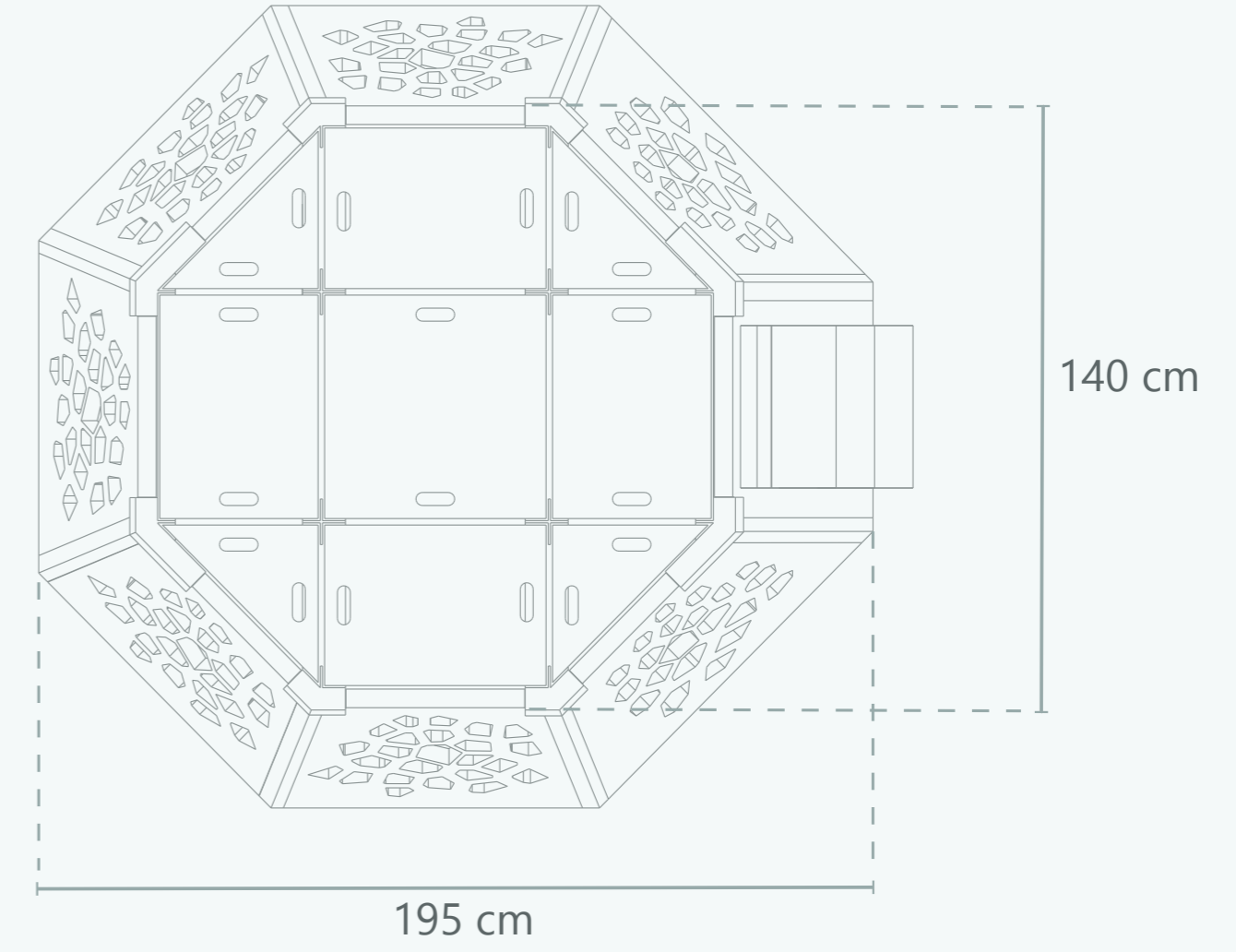


### DIMENSIONS

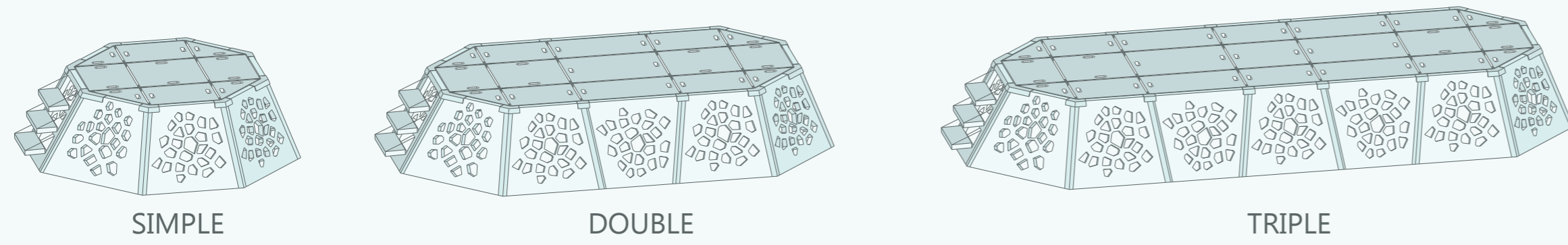
ELEVATION VIEW



PLAN VIEW



### EXTENSIONS

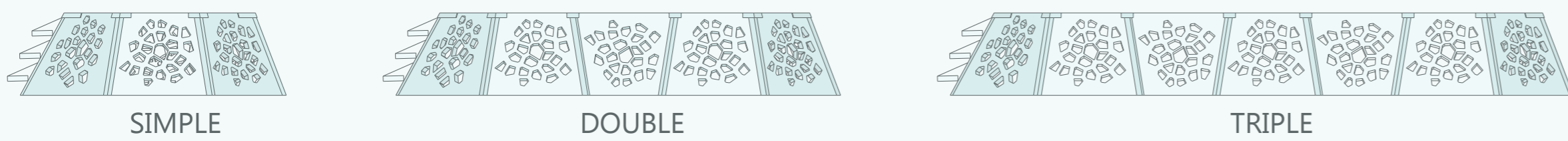


SIMPLE

DOUBLE

TRIPLE

### ELEVATION VIEW - EXTENSION

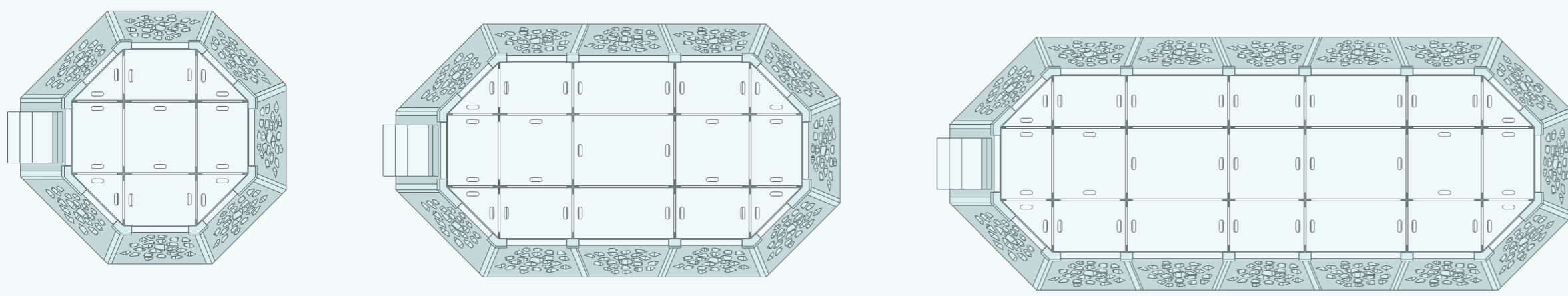


SIMPLE

DOUBLE

TRIPLE

### PLAN VIEW - EXTENSION



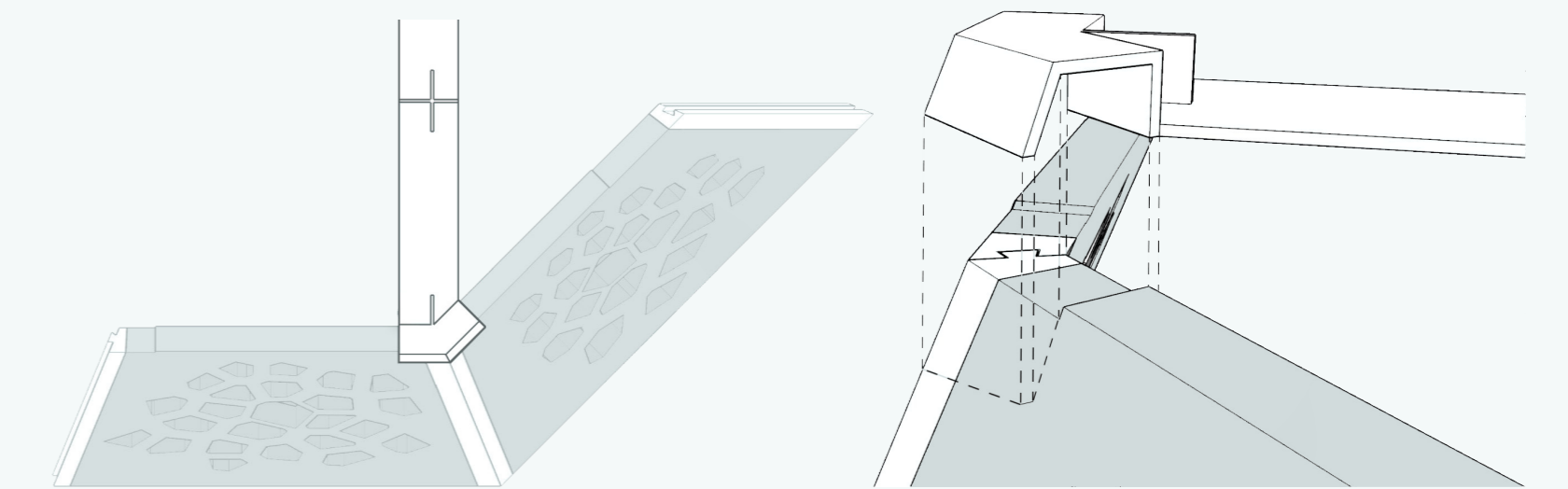
SIMPLE

DOUBLE

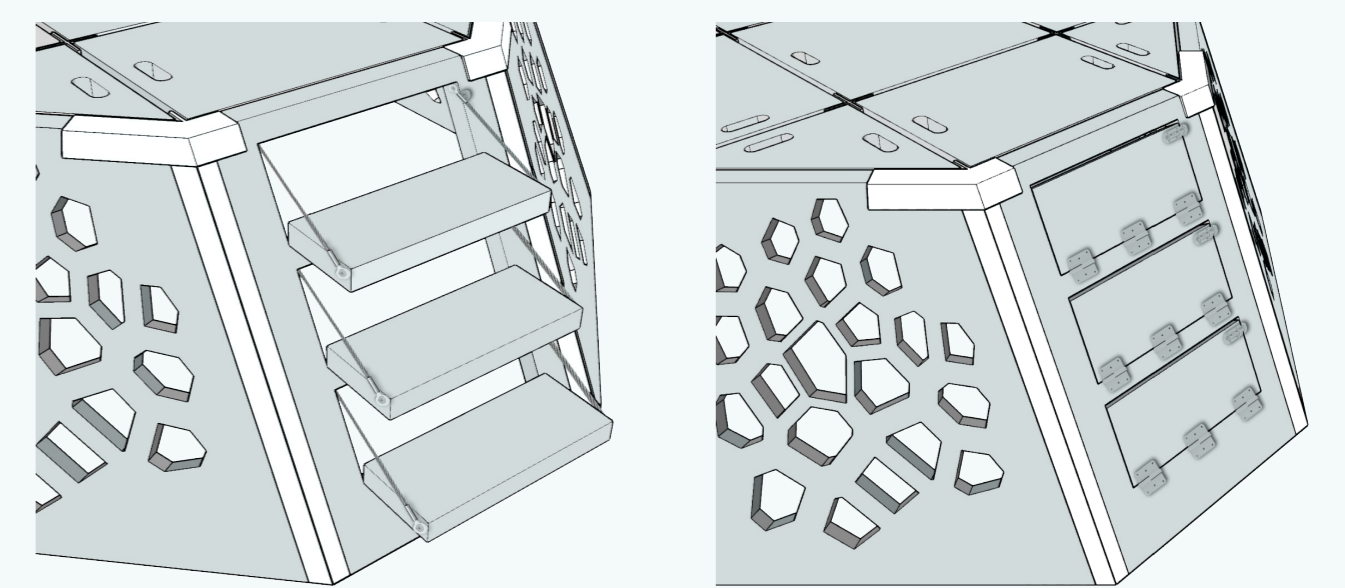
TRIPLE

### DETAILING

METALLIC SUPPORT BAR



### STAIRS



### INCLINED PANELS ASSEMBLING

